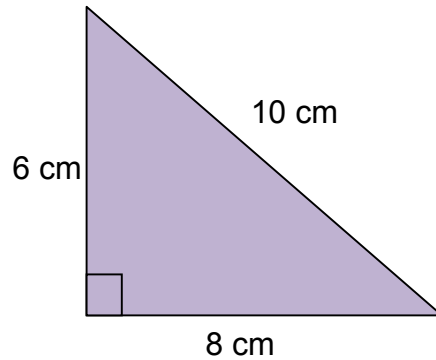


The perimeter of shapes

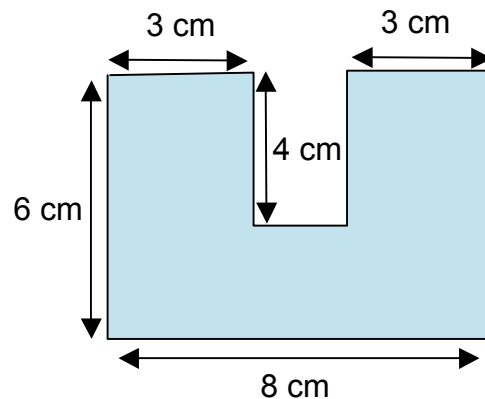
To find the perimeter of shapes other than rectangles, you need to make sure you work around **all the edges** of the shape and **add the measurements**.

Example 1

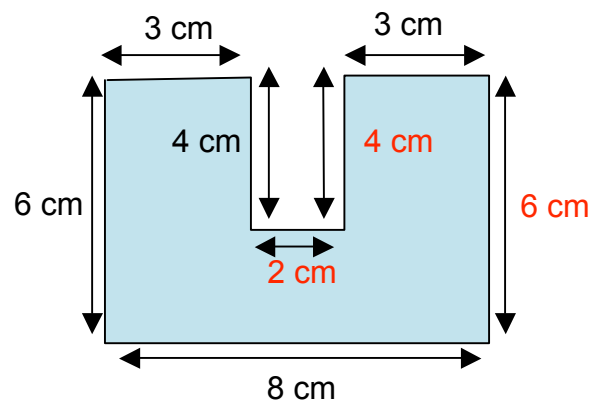


The perimeter of the right-angled triangle is $10 \text{ cm} + 8 \text{ cm} + 6 \text{ cm} = \mathbf{24 \text{ cm}}$

Example 2



To find the perimeter in the shape above, you will first have to work out the length of the sides not given.



Perimeter = $6 \text{ cm} + 3 \text{ cm} + 4 \text{ cm} + 2 \text{ cm} + 4 \text{ cm} + 3 \text{ cm} + 6 \text{ cm} + 8 \text{ cm} = \mathbf{36 \text{ cm}}$